



Ti500 SERVICE & WORKOVER UNIT

THE Ti500

The Ti500 is one of the most popular rigs manufactured by Taylor Industries. The 104 ft. (31.7 m) / 240,000 lb. (108 MT) mast makes this unit a serious rig for heavy well service, workover, and light drilling. Mounted on a heavy duty 5-axle carrier, the Ti500 is powered by one 475 Hp engine and an automatic transmission. All critical maintenance points are easily accessed and brake adjustment is simple and straightforward. The rig is equipped with many standard features including rod basket, tubing board, work platform and deck mounted winch.

DRAWWORKS

Model G42-154 (Band) or TI-260 (Disc)
Single Line Pull 41,000

Hoisting Drum Information

Main Barrel Dimensions 18.75 in. x 34 in.
Wire Line Size 1 in.
Wire Line (optional) 675 ft.
Drum Clutch 24 in. 3-Plate
Gearing 6 Forward / 1 Reverse
Drive Chain Double 140
Brake System 42 x 12 blocks
Brake Cooling Air/Water Spray

Sand Drum Information

Sand Drum Diameter 12.75 in.
Standard Sand Line Size 9/16 in.
Max. Sand Line Capacity 16,000 ft.
Drum Clutch 24 in. 2 Plate
Drive Chain Single 140
Brake System 42x8 blocks
Brake Cooling Air/Water Spray

MAST

Model 104/240
Mast Height 104 ft.
No. of Lines to the Block 4, 6, or 8
API Capacity 240,000 lbs.
Drill Line Size 1 in.
Racking Board Height 55 ft. 7 in. / 66 ft. 7 in.
Rod Basket Height 78 ft. 7 in.
Traveling Block (optional) ... 150 ton 83A non-weighted

Mast Raising System

Raising Rams 2-3 Stage, Double Acting
Telescoping Ram (1) Single Stage

Guy Lines (2) with Ratcheting Boomers
Wind Guys (1) Set with Tail Chains
Tubing Board Guys (1) Set with Tail Chains

POWER SYSTEM

Engine Caterpillar C-15/ Det S-60
Cylinders / Type 6 / 4-Stroke
Horsepower 475 Hp
Governed Speed 2,100 RPM
Air Cleaner Single Dry Type
Emergency Stop Standard

Transmission

Model Allison 4500 OFS
Gearing 6 Forward / 1 Reverse

AIR ELECTRICAL & HYDRAULIC

Compressor 32 CFM
Electric System 12 Volt
Alternator 115 amp
Starter 12 Volt
Batteries (3) BCI-31
Hydraulic System 50 gpm / 2,000 psi

CAB

Type Single Person (R or L drive)
Heater/Defroster 40,000 BTU
Drivers Seat Air Ride
Mirrors Break Away

RIG LEVELING SYSTEM

Leveling Jacks (4) 12 in. Hyd. w/ Manual Lock
..... (2) Screw Type

CARRIER

Type 5 axle, 10 x 4 Drive
Length w/ Mast 63 ft. 1 in.

Overhang, Front 16 ft. 2 in.
Axle to Front Bumper 5 ft. 2 in.
Bridge Span 19ft. 1 in.
Rear Axle Spacing 54 in.
Rear Axle to Back of Rig 8 ft. 3 in.
Height (OTR) 14 ft. 6 in.
Estimated Rig Weight 90,140 lbs.

AXLES - SUSPENSION

Front Tandem / Steerable
Axle Capacity 24,000 lbs. per axle
Suspension Type Spring
Rear Walking Beam w/ Air Tag
Pusher Axle Capacity 23,000 lbs.
Tag Axle Capacity 20,000 lbs.

Brakes

ABS System Standard Drum
Park Brake Air

Tires & Wheels

Front Tires 445/65 R22.5 in.
Wheels (Alum) 13 in. / 22.5 in.
Rear Tires 11R 22.5 in.
Rear Wheels (Alum) 8 in. / 22.5 in.

Frame

Main Rails 21 in. 53 lbs./ft.
Frame Deck Diamond Plate
Tow Points Front & Rear
Front Bumper Slant Type

Paint

Standard Paint 2 Non-Metallic Colors

Taylor



The cab and controls are state-of-the-industry and designed for safe and efficient rig operation. The Ti500 comes standard with full controls and instrumentation including power view, giving the operators a full complement of diagnostic and performance read-outs.

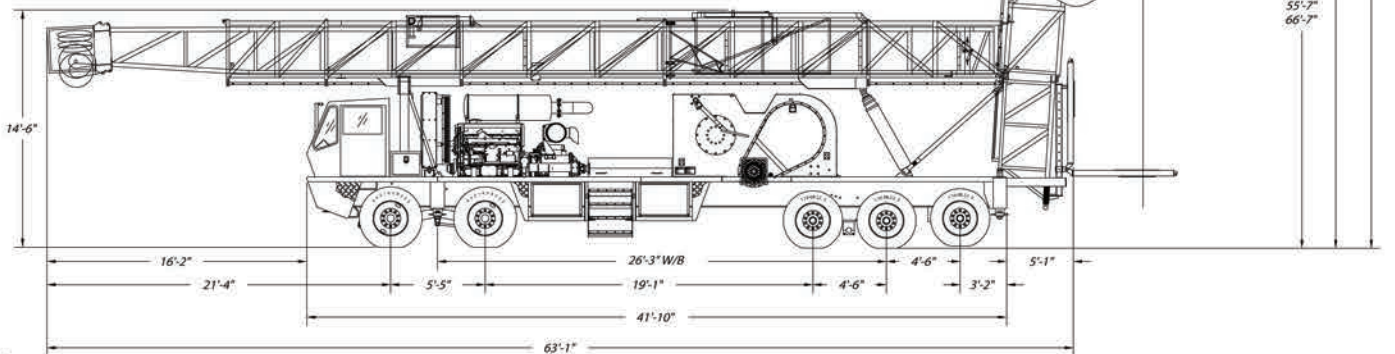


The heavy-duty mechanical drawworks with band or disk brakes provides 41,000 lbs. single line pull and the simple yet powerful clutch design improved the rig performance and while reducing weight and maintenance requirements.



The operator's console provides excellent visibility and a simple user-friendly control layout. Controls for all rig functions are easily accessible from the console. Additionally, the water resistant operators control panel is hinged for exceptional access for service and maintenance.

The Ti-500 is the most popular service and workover rig in Taylor's line. The simple design, powerful powertrain and drawworks make the Ti-500 ideally suited to a wide variety of oil and gas service and workover applications.



Call Taylor Industries today 877-266-7301, or visit our website: www.taylorindustries.net

6015 North Xanthus • Tulsa, OK 74130 • sales@taylorindustries.net • fax 918-425-3358