



TI CALIFORNIA SERIES SERVICE & WORKOVER UNITS

THE TI CA SERIES – Ti400, Ti500 AND Ti700

Taylor Industries offers the largest selection of “California Certified” rigs in the industry. The Taylor line offers customers exceptional versatility, performance and durability, while meeting California’s Purple Permit, CARB and Clean Idle requirements. The Taylor CA line includes masts heights from 96 to 102 ft. and hook loads from 180,000 up to 300,000 lbs. Each unit is mounted on a heavy duty 4-axle chassis and powered by a Cummins ISX Tier IV engine providing 500 Hp. The specially designed chassis is configured specifically for the unique requirements of the California market.

Combining exceptional flexibility and customization, straight forward designs and legendary product support make Taylor a first choice in California for well service, work over and drilling applications.

DRAWWORKS

| | |
|------------------------|------------------------------|
| Model | Ti400: DD42-148 Band Brake |
| | Ti500: DD42-154 Band Brake |
| | Ti700: Ti-260-160 Disc Brake |
| Single Line Pull | Ti400: 38,000 lbs. |
| | Ti500: 40,000 lbs. |
| | Ti700: 41,500 lbs. |

Hoisting Drum Information

| | |
|------------------------------|----------------------------|
| Main Barrel Dimensions | 18.75 in. x 34 in. |
| Wire Line Size | 1 in. |
| Drum Clutch | 18 in. 3-Plate |
| Gearing | 6 Forward / 1 Reverse |
| Drive Chain | Double 160 |
| Brake System | Ti400: 42 x 12 blocks |
| | Ti500: 42 x 12 blocks |
| | Ti700: Dual 60 in. disc |
| Assist Brake | Ti400: Single 48 in. disc |
| | Ti500: Single 54 in. disc |
| | Ti700: Single 60 in. disc |
| Brake Cooling | Ti400 & Ti500: Water Spray |
| | Ti700: Air Induction |

Sand Drum Information (optional on Ti700)

| | |
|---------------------------------|----------------------------|
| Sand Drum Diameter | 12.75 in. |
| Standard Sand Line Size | 9/16 in. |
| Max. Sand Line (Optional) | 16,000 ft. |
| Drive Chain | Single 140 |
| Brake System | Ti400 & Ti500: 42x8 blocks |
| | Ti700: Single 48 in. Disc |
| Brake Cooling | Ti400 & Ti500: Water Spray |
| | Ti700: Air Induction |

MAST

| | |
|-------------------|------------------------|
| Model | Ti400: 96/205 |
| | Ti500: 102/250 |
| | Ti700: 102/300 |
| Mast Height | Ti400: 96 ft. |
| | Ti500 & Ti700: 102 ft. |

| | |
|---------------------------------|---------------------|
| No. of Lines to the Block | 4, 6, or 8 |
| API Capacity | Ti400: 205,000 lbs. |
| | Ti500: 250,000 lbs. |
| | Ti700: 300,000 lbs. |
| Drill Line Size | 1 in. |
| Racking Board Height | 55 ft. 0 in. |
| Rod Basket Height | 64 ft. 0 in. |
| Traveling Block | (optional) |

Mast Raising System

| | |
|-------------------------|-----------------------------|
| Raising Rams | (2) 3 Stage, Double Acting |
| Telescoping Ram | (2) Single Stage |
| Guy Lines | (2) with Ratcheting Boomers |
| Wind Guys | (1) Set with Tail Chains |
| Tubing Board Guys | (1) Set with Tail Chains |

POWER SYSTEM

| | |
|------------------------|--------------------------|
| Engine | Cummins ISX-15 (tier IV) |
| Cylinders / Type | 6 / 4-Stroke |
| Horsepower | 500 Hp |
| Governed Speed | 2,100 RPM |
| Air Cleaner | Single Dry Type |
| Emergency Stop | Standard |

Transmission

| | |
|----------------|-----------------------|
| Type | Alison 4500 OFS |
| Drop Box | Cotta |
| Gearing | 6 Forward / 1 Reverse |

AIR ELECTRICAL & HYDRAULIC

| | |
|------------------------|--------------------|
| Compressor | 37 CFM |
| Electric System | 12 Volt |
| Alternator | 115 amp |
| Starter | 12 Volt |
| Batteries | (3) BCI-31 |
| Hydraulic System | 50 gpm / 2,000 psi |

CAB

| | |
|-------------------------|------------------------------|
| Type | Single Person (R or L drive) |
| Heater/ Defroster | 40,000 BTU |
| Drivers Seat | Air Ride |
| Mirrors | Break Away |

RIG LEVELING SYSTEM

| | |
|----------------------|--------------------------------|
| Leveling Jacks | (4) 12 in. Hyd. w/ Manual Lock |
|----------------------|--------------------------------|

CARRIER

| | |
|--------------------------------|-----------------------------|
| Type | 4 axle, 8 x 4 Drive |
| Main Rails | 21 in. 53 lbs. / ft. |
| Frame Deck | Diamond Plate |
| Tow Points | Front & Rear |
| Front Bumper | Slant Type |
| Length w/ Mast | Ti400 & Ti500: 57 ft. 3 in. |
| | Ti700: 60 ft. 6 in. |
| Overhang, Front | Ti400 & Ti500: 20 ft. 5 in. |
| | Ti700: 20 ft. 9 in. |
| Bridge Span | 19 ft 3 in. |
| Rear Axle Spacing | 6 ft 9 in. |
| Rear Axle to Back of Rig | 11 ft. 8 in. |
| Height (OTR) | 14 ft. 0 in. |
| Estimated Rig Weight* | Ti400: 85,000 lbs. |
| | Ti500: 90,000 lbs. |
| | Ti700: 92,000 lbs. |
| Standard Paint | 2 Non-Metallic Colors |

* Estimated weight based on average configurations. Weight will vary depending on rig options requested.

AXLES & SUSPENSION

| | |
|-----------------------|----------------------------|
| Front | Tandem / Steerable |
| Axle Capacity | 24,000 lbs. per axle |
| Suspension Type | Spring |
| Rear | Tandem / Driving |
| Axle Capacity | 23,000 lbs. per axle |
| Suspension Type | Air Bag |
| ABS System | Standard - Drum |
| Park Brake | Air |
| Front Tires | 445/65 R22.5 in. |
| Wheels | 13 in. / 22.5 in. Aluminum |
| Rear Tires | 11R 22.5 in. |
| Rear Wheels | 8 in. / 22.5 in. Aluminum |

6015 North Xanthus
Tulsa, OK 74130
(877) 266-7301
sales@taylorindustries.net

Unit shown with optional equipment.

Taylor
INDUSTRIES
TAYLOR INDUSTRIES.
EXCEEDING EXPECTATIONS.

Taylor



The cab and controls are state-of-the-industry and designed for safe and efficient rig operation. All Ti CA Series come standard with full controls and instrumentation including Power View[®], giving the operators a full complement of diagnostic and performance read-outs.



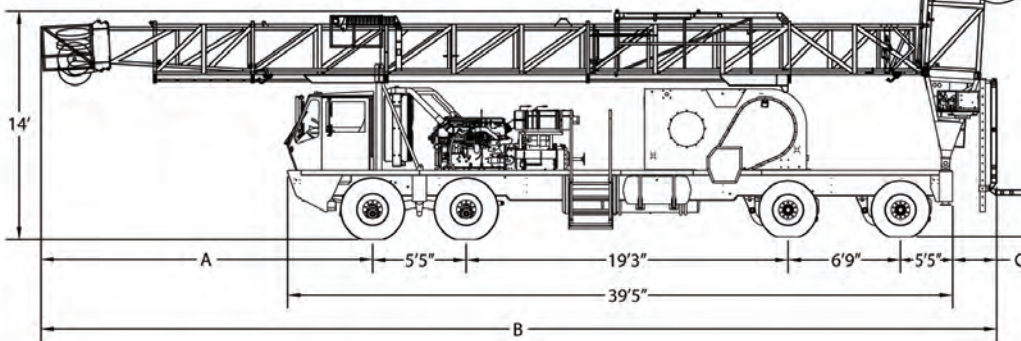
Powered by a 500 hp Cummins ISX15 Tier IV power plant, the powerful Taylor California Series rigs meet all CARB and Clean Idle certification requirements. The standard Allison 4500 OFS transmission ensures smooth and reliable performance throughout the rig's operating range.



All Taylor California series rigs come standard with custom operator's consoles, configured to meet each customer's specific needs. Controls are configured to maximize operator efficiency and crew safety.

| | DESCRIPTION | Ti400-CA | Ti500-CA | Ti700-CA |
|----------|-----------------------|-------------|-------------|-------------|
| A | Overhang, Front | 20' 5" | 20' 5" | 20' 9" |
| B | Length with Mast | 57' 3" | 57' 3" | 60' 6" |
| C | Rear Overhang | 2' 5" | 2' 5" | 2' 7" |
| | Estimated Rig Weight* | 85,000 lbs. | 90,000 lbs. | 92,000 lbs. |

* Estimated weight based on average configurations. Weight will vary depending on rig options requested.



Taylor

INDUSTRIES

Call Taylor Industries today 877-266-7301, or visit our website: www.taylorindustries.net

6015 North Xanthus • Tulsa, OK 74130 • sales@taylorindustries.net • fax 918-266-4194